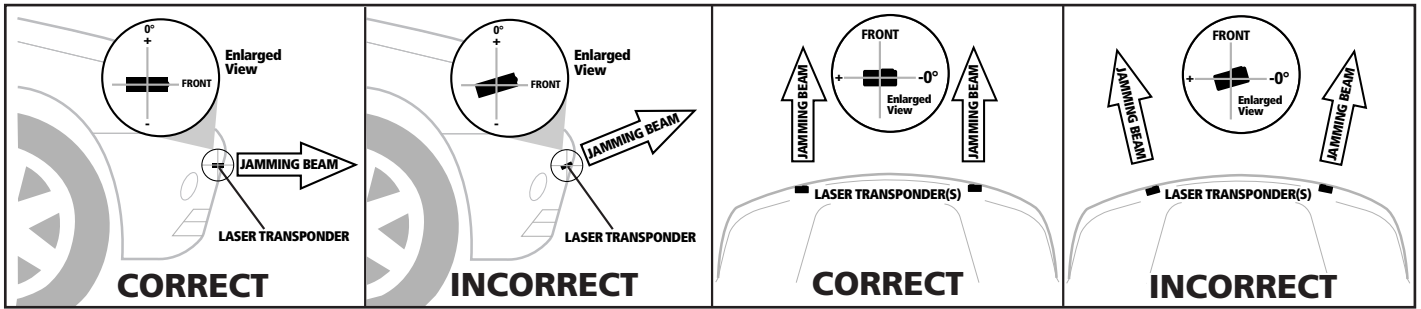


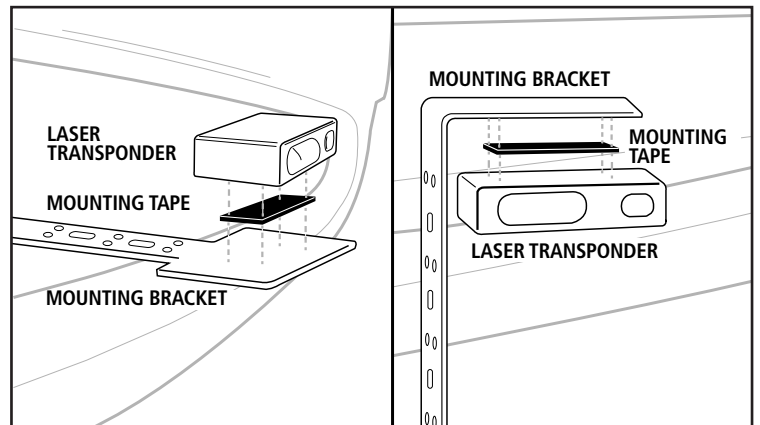
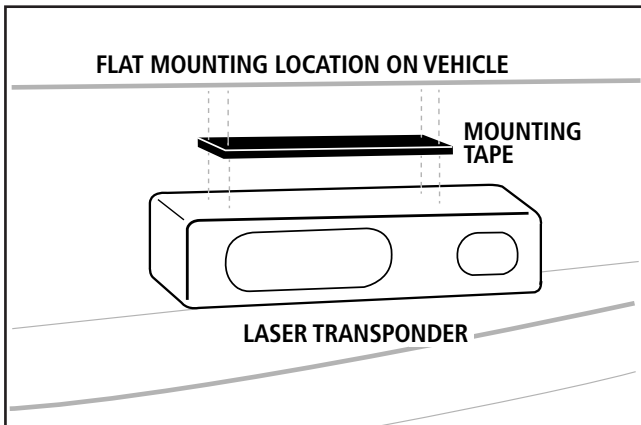
# K40 DEFUSER OPTIX™ Mounting Instructions



## Determine Mounting Location and Method

- Laser transponder MUST have an unobstructed and level view of the road ahead.

- Do NOT mount behind grille and/or follow contours of vehicle.

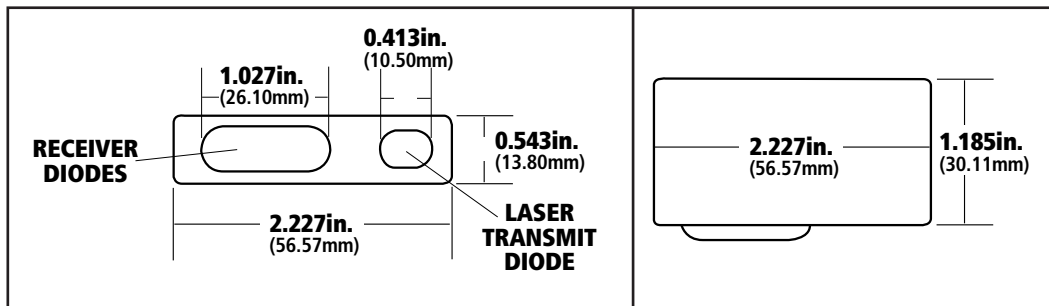


## Utilizing included adhesive mounting tape:

- Make sure vehicle mounting surface is clean and free of grease, dirt, and oil.
- Best results are obtained when tape is applied at 72° F or higher.

## Utilizing the included mounting bracket:

- Bend/reshape bracket as needed to obtain level mounting orientation.



Use these dimensions for transponder installations requiring custom trim, body, or grille cutouts.